

Illustration - Type - E

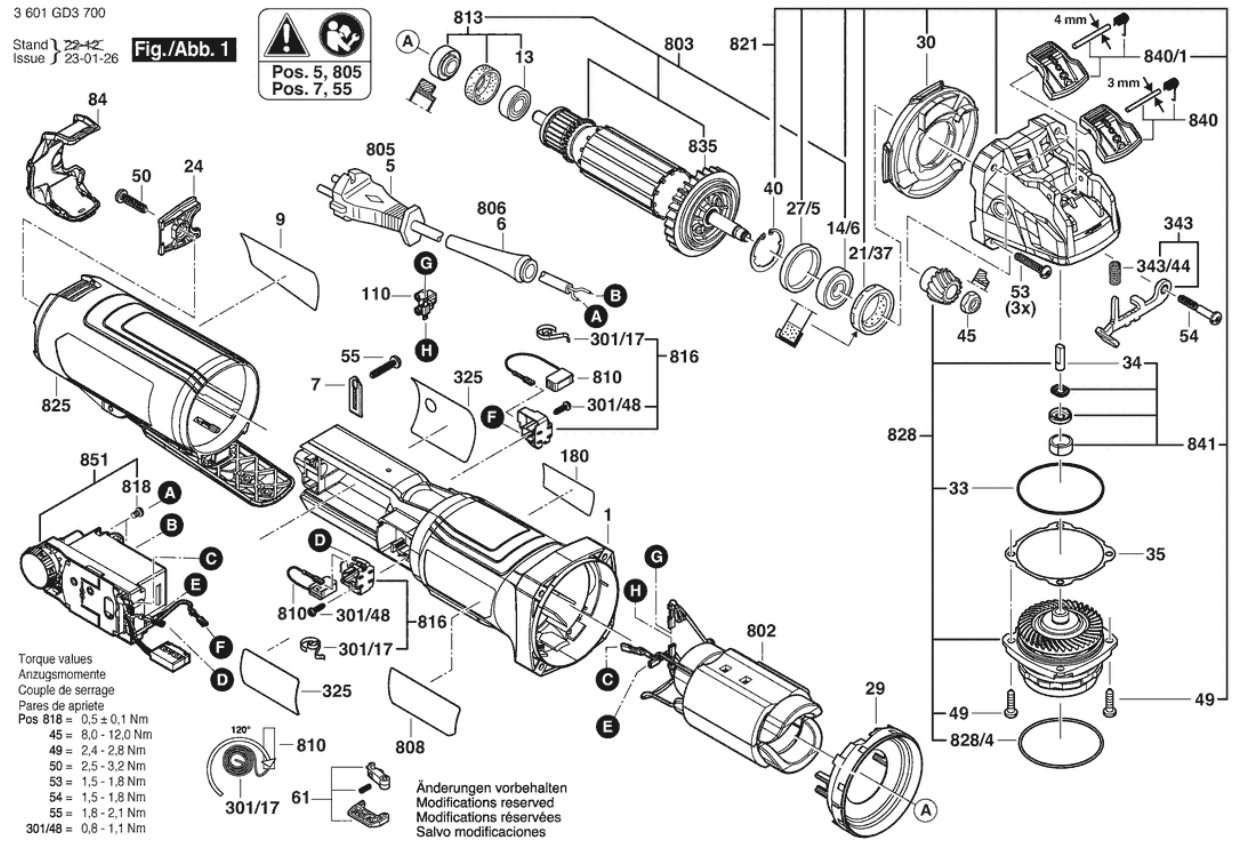
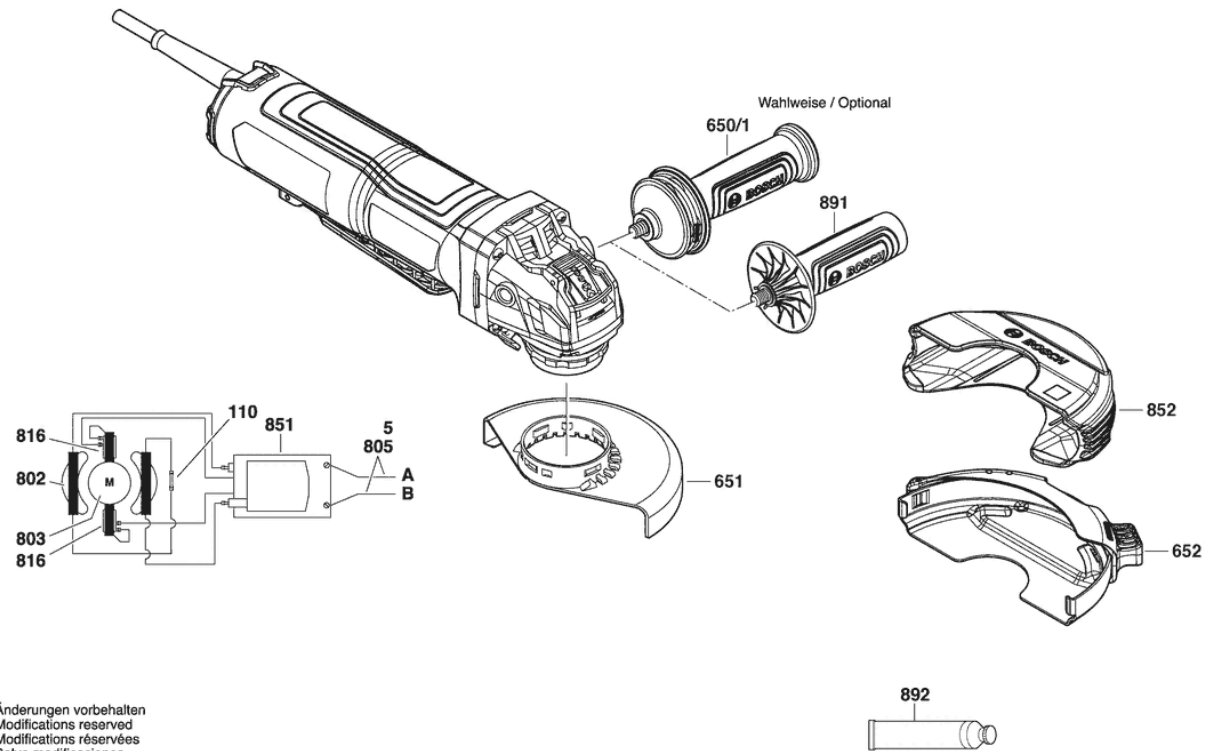


Illustration - Type - E

3 601 GD3 700

Stand } 22-12-20 **Fig./Abb. 2**
Issue }



Änderungen vorbehalten
Modifications reserved
Modifications réservées
Salvo modificaciones

Spare parts list

Item	Part Number	Description	Illustration
1	1 605 108 2NA	Motor Housing	1
6	1 600 703 043	Grommet	1
7	1 601 302 017	Fastening Clamp	1
9	1 601 11C 46E	Manufacturer's nameplate	1
13	2 600 905 032	Ball Bearing 7X19X6	1
14/6	1 600 905 032	groove ball bearing 8X22X7	1
21/37	1 600 290 016	Rotary shaft lip seal	1
24	1 605 500 2HD	Cover	1
27/5	1 600 206 025	Rubber Ring	1
29	1 600 591 070	Air-Deflector Ring	1
30	1 600 591 05N	Air Distributor	1
33	1 600 210 035	O-Ring 46,0X1,1 MM	1
34	1 600 A01 2X9	Braking Element	1
35	1 600 136 013	Shim 0,1 MM THICK	1
35	1 600 136 014	Shim 0,2 MM THICK	1
35	1 600 136 015	Shim 0,3 MM THICK	1
35	1 600 136 020	Shim 0,15 MM THICK	1
40	1 600 119 011	Retaining clip	1
45	1 603 300 016	Hex Nut M7, SW10	1
49	1 603 435 08X	Thread-forming tap. Screw M4X16-ST W/ PRECOTE 85-3	1
50	2 914 201 527	Torx Oval-Head Screw	1
53	1 603 435 078	Torx Oval-Head Screw	1
54	1 603 414 026	Torx Oval-Head Screw 4X30	1
55	2 603 490 023	Torx Oval-Head Screw 4X20	1
61	1 607 000 F2H	Switch Set	1
84	1 600 A02 1MW	Filter	1
110	1 600 A02 3GE	Contact Block	1
180	1 601 11C 46U	Sticker	1
301/17	1 604 652 021	Spiral Spring	1
301/48	1 613 435 034	Lens Head Screw 3X10 ST	1
325	1 607 000 EK6	Insulating Plate	1
343	1 607 000 742	Catch Lever	1
343/44	1 604 611 042	Compression Spring	1
802	1 607 000 FOJ	Field	1

Spare parts list

Item	Part Number	Description	Illustration
803	1 607 000 EJ2	Armature assembly	1
805	1 607 000 392	Power supply cord EU 4,15M 2 X 1,0MM H07 RN-F	1
808	1 601 11A 9HD	Nameplate	1
810	1 607 000 EJ7	Carbon-Brush Set	1
813	1 607 000 V38	groove ball bearing	1
816	1 607 000 EJ9	Brush Holder	1
818	1 607 000 EK5	Pan head screw	1
821	1 607 000 EK4	Gear Housing	1
825	1 607 000 F29	Housing Cover	1
828	1 607 000 D5G	Parts Set	1
828/4	3 600 210 109	O-Ring 47,0X1,5 MM	1
835	1 606 610 17B	Fan	1
840	1 607 000 D5X	Parts Set	1
840/1	1 607 000 EA6	Lever	1
841	1 607 000 D5Z	Parts Set	1
851	1 607 233 5HK	Speed governor	1
650/1	1 602 025 0A0	Auxiliary Handle	2
651	1 600 A02 E9M	Protective Cover	2
652	1 600 A02 059	Protective Cover	2
852	1 600 A02 1MH	Protective Cover	2
891	1 602 025 09T	Auxiliary Handle	2
892	1 615 430 014	Grease Tube 45 ML	2